

# ELECTRIC HYDRAULIC TRASH CAN DUMPER - TCD-M-48-AC

APPROX WEIGHT: 554.55 lbs.  
 DOES NOT INCLUDE WEIGHT OF POWER OR PACKAGING!!!

\*\*\* ANY ADDITIONS, DELETIONS, OR OMISSIONS MUST BE CORRECTED ON THIS DRAWING AS THIS DRAWING WILL BE CONSIDERED ALL INCLUSIVE \*\*\*  
 ALL GRAPHICS PROVIDED ARE FOR REFERENCE ONLY. IF CERTAIN DIMENSIONS ARE CRITICAL PLEASE VERIFY THOSE DIMENSIONS WITH YOUR SALESPERSON

## STANDARD FEATURES

MODEL NUMBER: TCD-M-48-AC  
 USABLE CHUTE WIDTH: 20" MIN TO 27" MAX  
 USAGE CHUTE LENGTH: 27 1/8"

OVERALL LENGTH: 75 5/8"  
 OVERALL WIDTH: 46 1/16"  
 OVERALL HEIGHT: 64 11/16"

OVERALL ROTATED HEIGHT: 113 13/16"  
 MAXIMUM ROTATED ANGLE: 45°  
 DUMP HEIGHT: 48 3/4"

WORKS WITH MODEL# TH-32/64/95

UNIFORM CAPACITY IS 400 LBS

CASTERS:  
 FRONT: 8" X 2" GFN SWIVEL  
 REAR: 8" X 2" GFN RIGID

TWO ADJUSTABLE FLOOR LOCKS

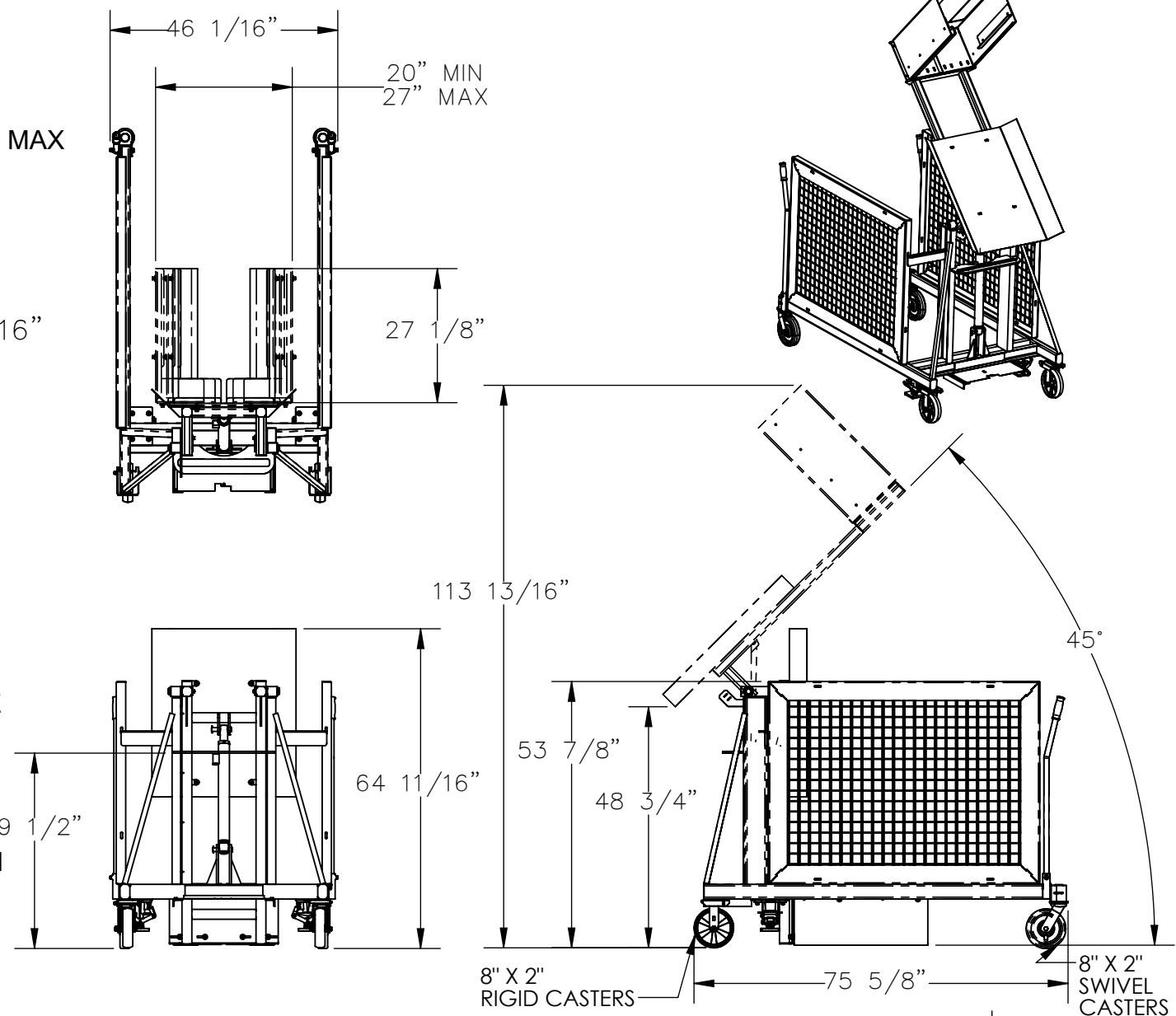
POWER UNIT: 115 V AC SINGLE PHASE  
 CONTROL: HAND

FRAME IS  
 DURABLE LIQUID PAINT BLUE FINISH  
 CHUTE IS  
 DURABLE LIQUID AINT YELLOW FINISH

## SPECIAL FEATURES

NONE

DIMENSION TOLERANCE ± 1/4"



APPROVAL

I, THE UNDERSIGNED, AGREE THAT THE PRODUCT AS REPRESENTED SATISFIES DESIGN AND DIMENSION REQUIREMENTS. I ALSO ACKNOWLEDGE MY DUTY TO CONFIRM PRODUCT AND INSTALLATION COMPLIANCE WITH ALL APPLICABLE FEDERAL, STATE AND LOCAL REGULATIONS AND STANDARDS.

**ANY MODIFIED UNITS ARE NON-RETURNABLE**

[ ] As drawn [ ] As marked

Signed: \_\_\_\_\_ Date: \_\_\_\_\_

Printed Name: \_\_\_\_\_

LEAD TIME WILL START UPON RECEIPT OF SIGNED APPROVAL DRAWING

FOR INTERNAL USE ONLY PROJECT SIGN OFF	
SALES	
ENG.	
FAB.	
POWER	

DISTRIBUTOR'S NAME: HOF EQUIPMENT COMPANY		P.O.# X
PH: 888-990-1150		W.O.# X
DRAWN BY: SJA	DATE: 7/28/2016	SALES: X
REFERENCE: X	SCALE: 1:32	FILE NAME:
QUOTED LEAD TIME: X	QUOTE # X	34-007-015-001